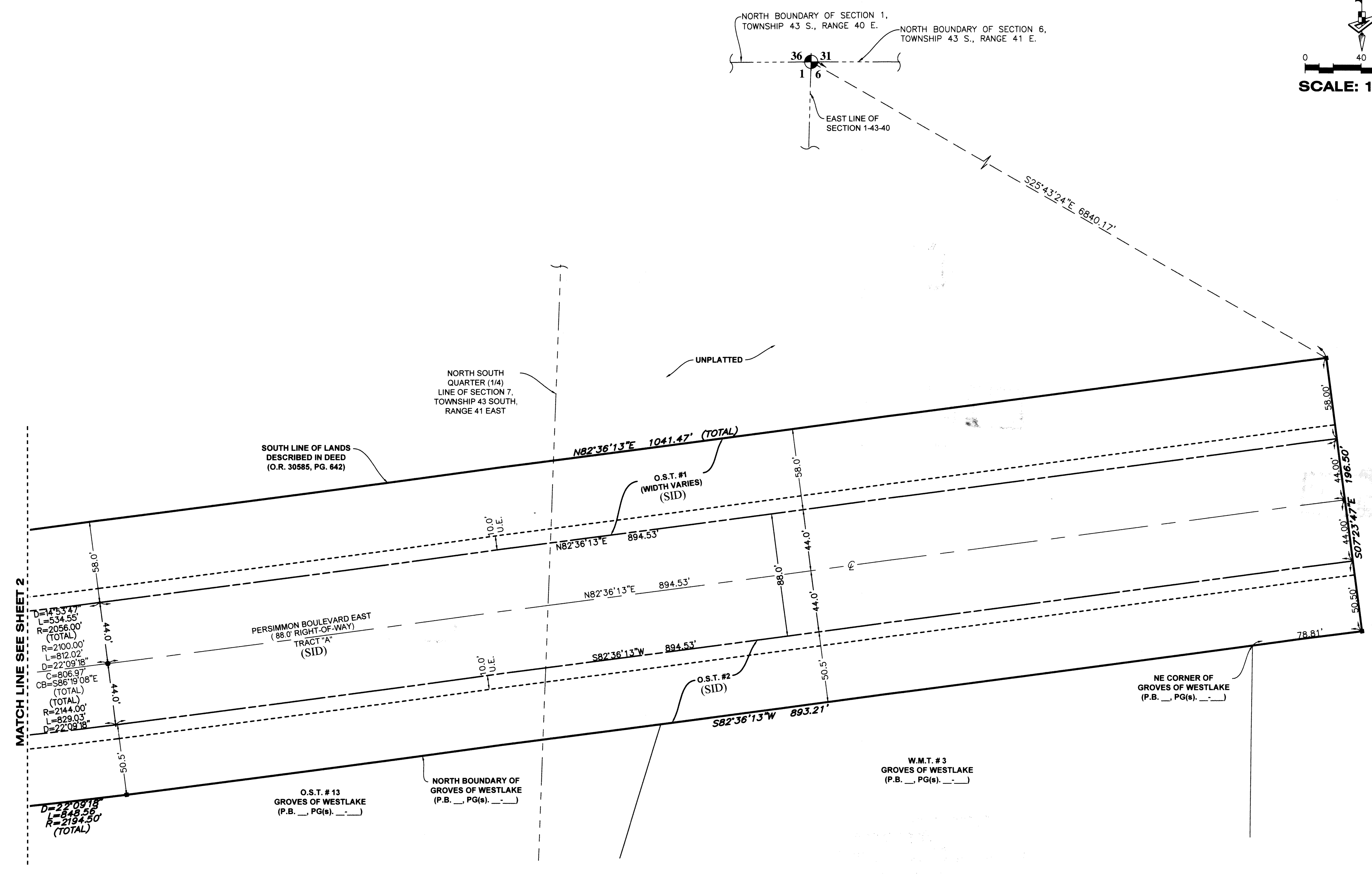
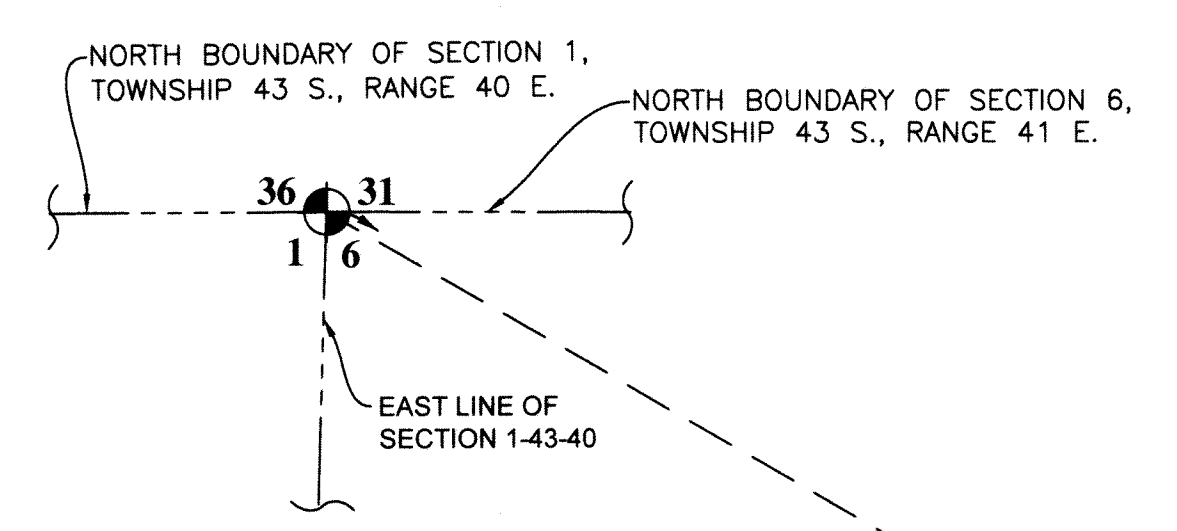
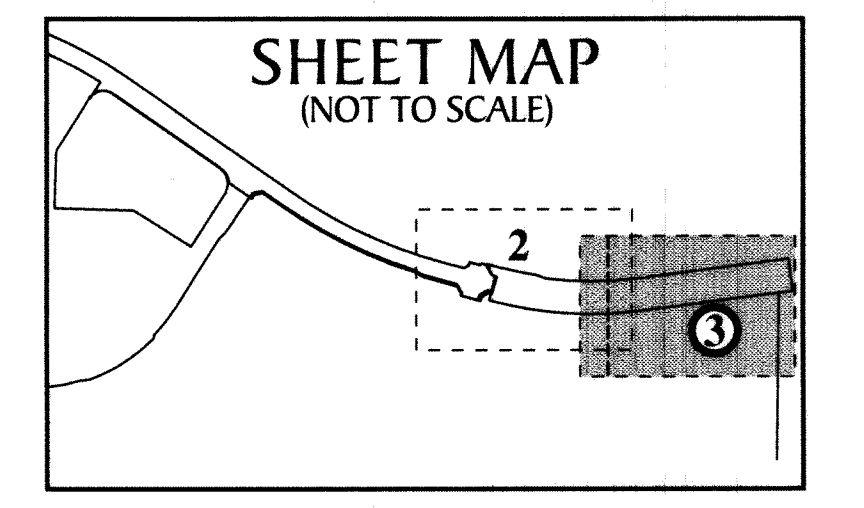
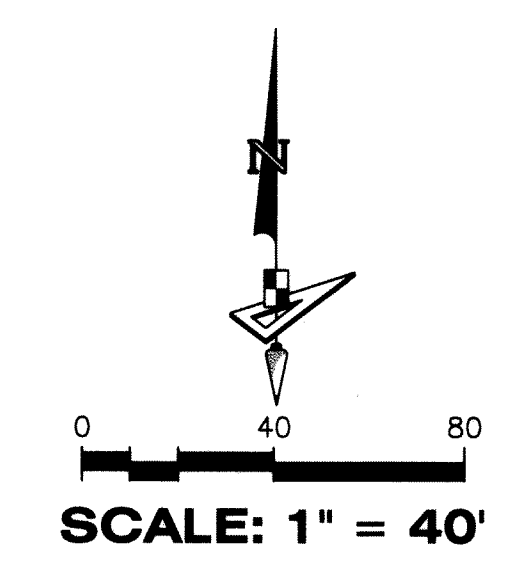


# PERSIMMON BOULEVARD EAST - PLAT 3

BEING IN PART A REPLAT OF OPEN SPACE TRACT #3, PERSIMMON BOULEVARD EAST-PLAT 2, PLAT BOOK 128, PAGES 16 THROUGH 19, INCLUSIVE, PUBLIC RECORDS OF PALM BEACH, FLORIDA, AND BEING A PORTION OF SECTION 7, TOWNSHIP 43 SOUTH, RANGE 41 EAST, CITY OF WESTLAKE, PALM BEACH COUNTY, FLORIDA,

80



MATCH LINE SEE SHEET 2

$D=1453.47'$   
 $L=534.55'$   
 $R=2056.00'$   
 (TOTAL)  
 $R=2100.00'$   
 $L=812.02'$   
 $D=22°09'18''$   
 (TOTAL)  
 $C=806.97'$   
 $CB=S86°19'08''E$   
 (TOTAL)  
 $R=2144.00'$   
 $L=829.03'$   
 $D=22°09'18''$   
 (TOTAL)

### LEGEND

- |                                      |                                                                                 |
|--------------------------------------|---------------------------------------------------------------------------------|
| P.O.B. ----- POINT OF BEGINNING      | ⊙ ----- CENTER LINE OF ROAD                                                     |
| P.O.C. ----- POINT OF COMMENCEMENT   | R ----- RADIUS                                                                  |
| P.B. ----- PLAT BOOK                 | L ----- ARC LENGTH                                                              |
| D.B. ----- DEED BOOK                 | D ----- DELTA ANGLE                                                             |
| PG./PG(s) ----- PAGE(S)              | CB ----- CHORD BEARING                                                          |
| NAD ----- NORTH AMERICAN DATUM       | C ----- CHORD                                                                   |
| O.S.T. ----- OPEN SPACE TRACT        | R/W ----- RIGHT-OF-WAY                                                          |
| P.B.C. ----- PALM BEACH COUNTY       | PRM ----- PERMANENT REFERENCE MONUMENT                                          |
| U.E. ----- UTILITY EASEMENT          | ● ----- PERMANENT CONTROL POINT                                                 |
| D.E. ----- DRAINAGE EASEMENT         | □ ----- FOUND PERMANENT REFERENCE MONUMENT                                      |
| R.P.E. ----- RURAL PARKWAY EASEMENT  | ■ ----- SET 4"x4" CONCRETE MONUMENT WITH 2" ALUMINUM DISK STAMPED "PRM LB 7768" |
| 7-43-41 ----- SECTION-TOWNSHIP-RANGE |                                                                                 |

**GeoPoint**  
Surveying, Inc.

4152 W. Blue Heron Blvd. Suite 105  
Riviera Beach, FL 33404

Phone: (561) 444-2720  
www.geopointsurvey.com  
Licensed Business Number LB 7768

Sheet No. 3 of 3 Sheets